

NANLITE

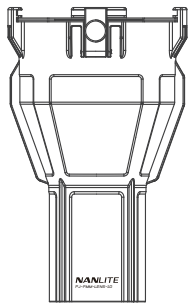
Projection Attachment with FM Mount
PJ-FMM-10/PJ-FMM-19/PJ-FMM-36

USER MANUAL

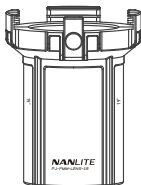
Projection Attachment with FM Mount

PJ-FMM-10/PJ-FMM-19/PJ-FMM-36

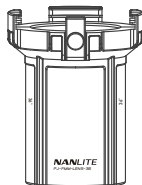
■ Product Diagram



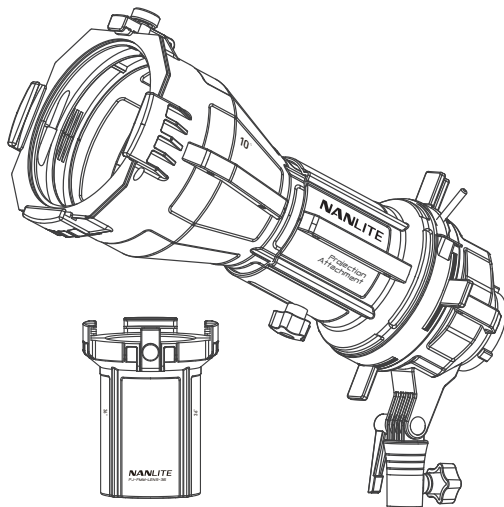
PJ-FMM-LENS-10



PJ-FMM-LENS-19



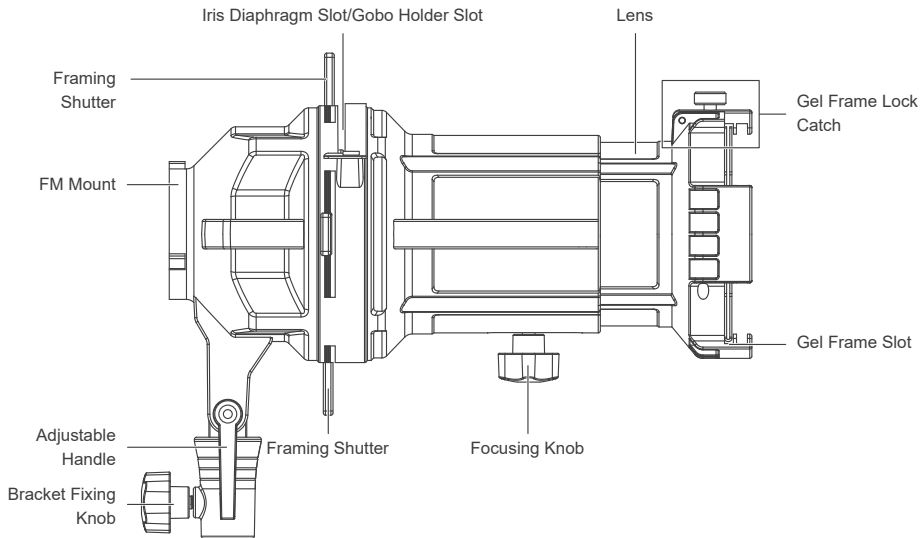
PJ-FMM-LENS-36



This product is compatible with FM mount light fixtures.

Product Details

Take the projection attachment with 19° lens as an example.



Usage

1. Installation & Operation

Remove the front and back protective covers. Mount the projection attachment on the light stand, then align the FM mount of lamp head with that of projection attachment, rotate the lamp head to secure it onto the projection attachment. Connect the power adapter to the lamp head and the power outlet, then turn on the power switch.

Note: Please don't mount the lamp head directly on the light stand to avoid inbalancing issue.

2. Focusing

Loosen the focusing knob, pull the lens forwards or backwards to adjust the resolution of light spot, then tighten the knob after adjustment.

3. Framing Shutter

Adjust the 4 built-in framing shutters to project light in different shapes.

4. Adjustable Iris Diaphragm

Loosen the thumb knobs on both sides of the iris diaphragm slot/gobo holder slot, open the cover, and insert the adjustable iris diaphragm into the slot. Loosen the lever, push it to adjust the diameter of the light spot. After adjustment, tighten the lever to lock the size of light spot.

Note: ①The adjustable iris diaphragm is sold separately.

②When adjusting, avoid placing fingers into the adjustable iris diaphragm to prevent cutting injuries.

5. Gobo

Place the gobo into the gobo holder, then insert the gobo holder into iris diaphragm slot/gobo holder slot. Pull the lens forwards or backwards to adjust the resolution of light spot.

Note: Prolonged use may cause discoloration of the gobo pattern due to high temperatures. When the gobo is removed, please do not place it on easily melted, flammable, or explosive objects.

6. Gel Frame

Place the gel into the gel frame, loosen the gel frame lock catch, then insert the gel frame into the slot, and tighten the lock catch.

7. Lens Switching

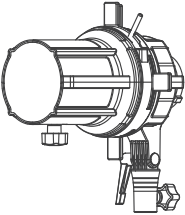
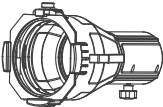




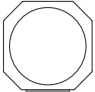



Take off the focusing knob, remove the lens, then mount the lens with another degree and reinstall the knob.

8. Please turn off the power switch when the fixture is not in use.

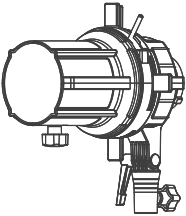
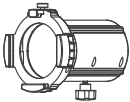
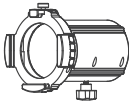




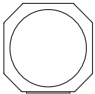

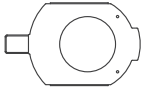

Notice

1. Please open the package to check for possible damage caused in transit. If any damage is found, please do not use the product and contact the place of purchase or manufacturer as soon as possible.
2. Please handle the glass lens included in the package with care to avoid damage.
3. Please do not look at the emitter directly when the fixture is on.
4. Please wipe off the dirt by using a cloth with neutral cleanser when cleaning the lens. Please do not use strong detergent for cleaning.
5. Please be careful of the sharp edges of the framing shutters to prevent scratches. When placing the projection attachment horizontally, be careful not to press the framing shutter.
6. High temperature warning: When this product is used with lighting fixtures, please be careful of the high temperatures from long-term use. Do not touch the non-adjustable part to avoid burns.
7. Please keep the equipment safely stored and away from children.

Includes (PJ-FMM-10/PJ-FMM-19/PJ-FMM-36)

<p>FM Mount Projection Attachment without Lens × 1</p>	<p>Lens × 1 (take the 10° lens as an example)</p>		<p>Carrying Bag × 1</p>
			
	<p>Plastic Protective Cover (front cover) × 1</p>	<p>Plastic Protective Cover (back cover) × 1</p>	<p>Gobo × 4 (different patterns)</p>
			
<p>Gel Frame × 1</p>	<p>M Size Gobo Holder × 1</p>	<p>Gobo Holder × 1</p>	<p>User Manual × 1</p>
			

Includes (PJ-FMM-19&36)

<p>FM Mount Projection Attachment without Lens × 1</p>	<p>19° Lens × 1</p>	<p>36° Lens × 1</p>	<p>Carrying Bag × 1</p>
			
	<p>Plastic Protective Cover (front cover) × 2</p>	<p>Plastic Protective Cover (back cover) × 2</p>	<p>Gobo × 4 (different patterns)</p>
			
<p>Gel Frame × 1</p>	<p>M Size Gobo Holder × 1</p>	<p>Gobo Holder × 1</p>	<p>User Manual × 1</p>
			

Any subsequent changes to product details are subject to the latest updates on the website.

WWW.NANLITE.COM

NANLITE

📞 +86-754-85751187

✉ info@nanlite.com

☎ +86-754-85300887

📍 Dongli Section, Highway 324, Chenghai, Shantou City, Guangdong Province, China